

# **Megalas-AM-800**

## Digital LLLT Irradiation System



# User's Guide



## English

|                                    |    |
|------------------------------------|----|
| Getting started                    | 1  |
| Using Megalas-AM                   | 5  |
| Operation Steps                    | 6  |
| Tips and troubleshooting           | 10 |
| Learning more, service and support | 11 |
| Safety and cleaning                | 12 |

# Getting started

Read on to find out how to get started low level laser therapy (LLLT) with Megalas-

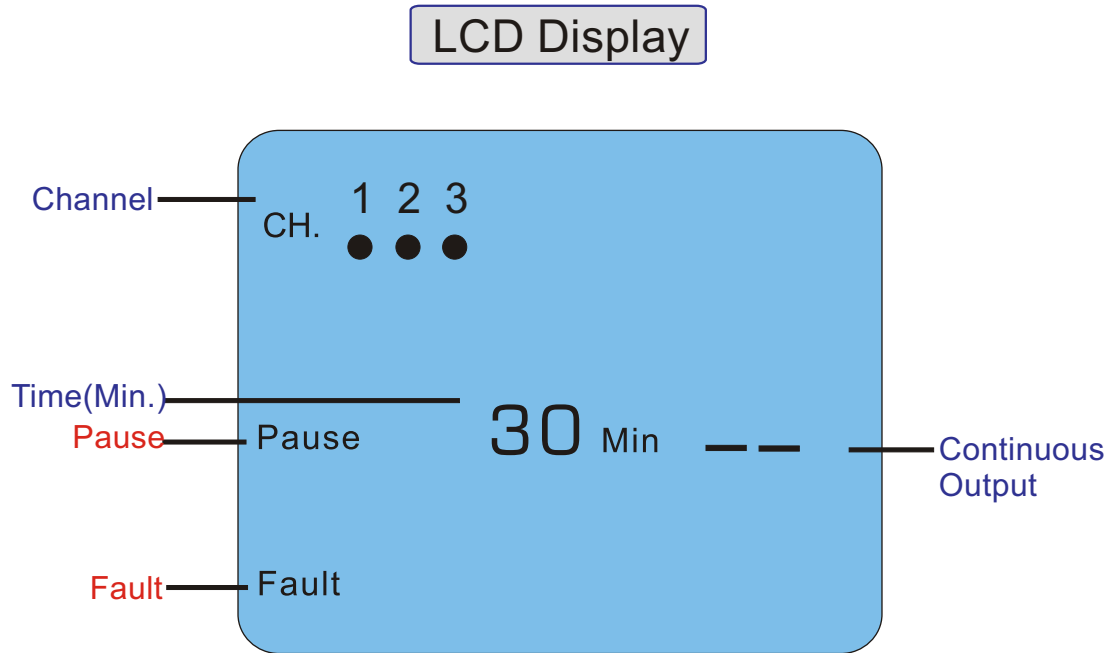
---

## 1 Connect Megalas-AM

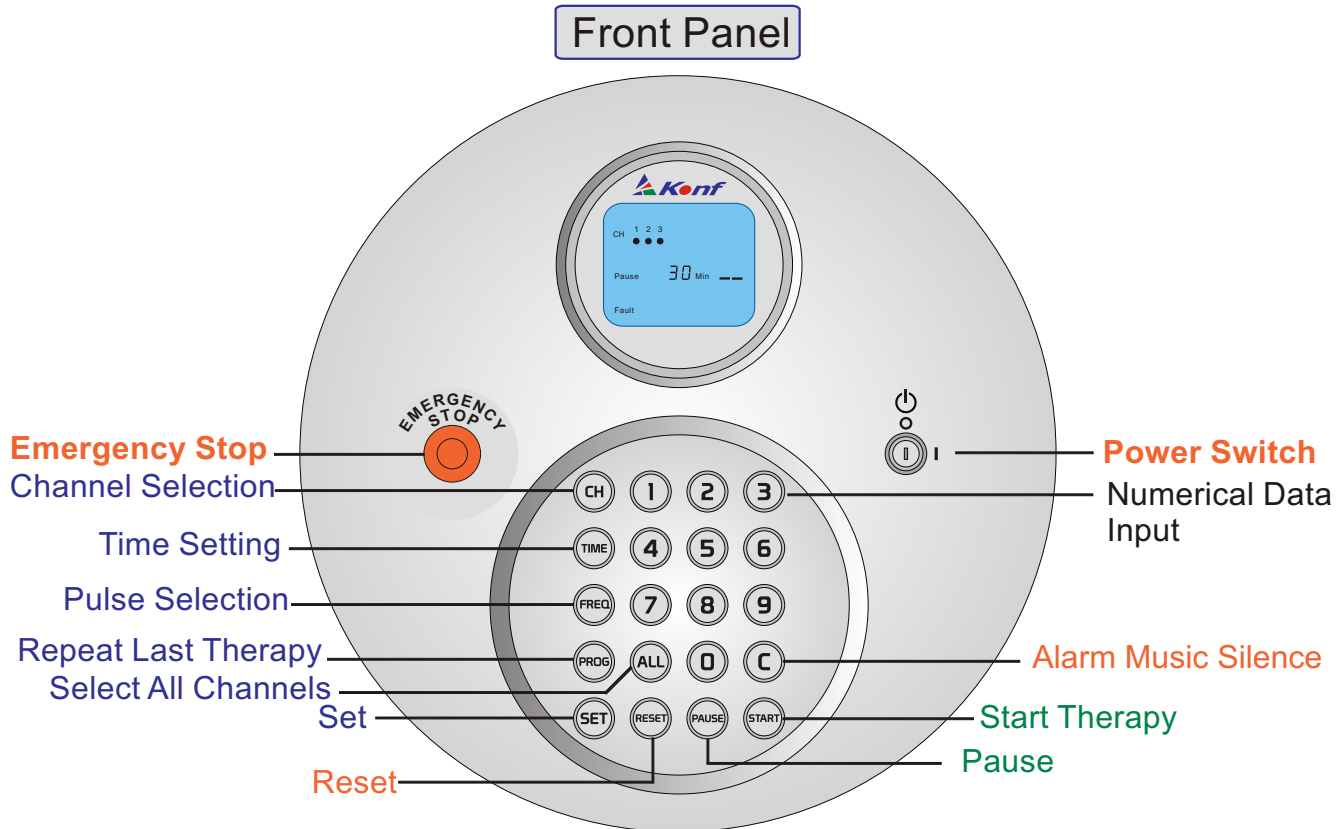
- ☑ Connect Megalas-AM using the included power supply cable.
- ☑ If Megalas-AM is equipped with remote pause switch, connect remote pause switch to the “Pause” socket inside the enclosure.

## 2 LCD display

Turn on Megalas-AM's power switch and the LCD display will dynamically indicate the process.



### 3 Front panel keyboard program instruction



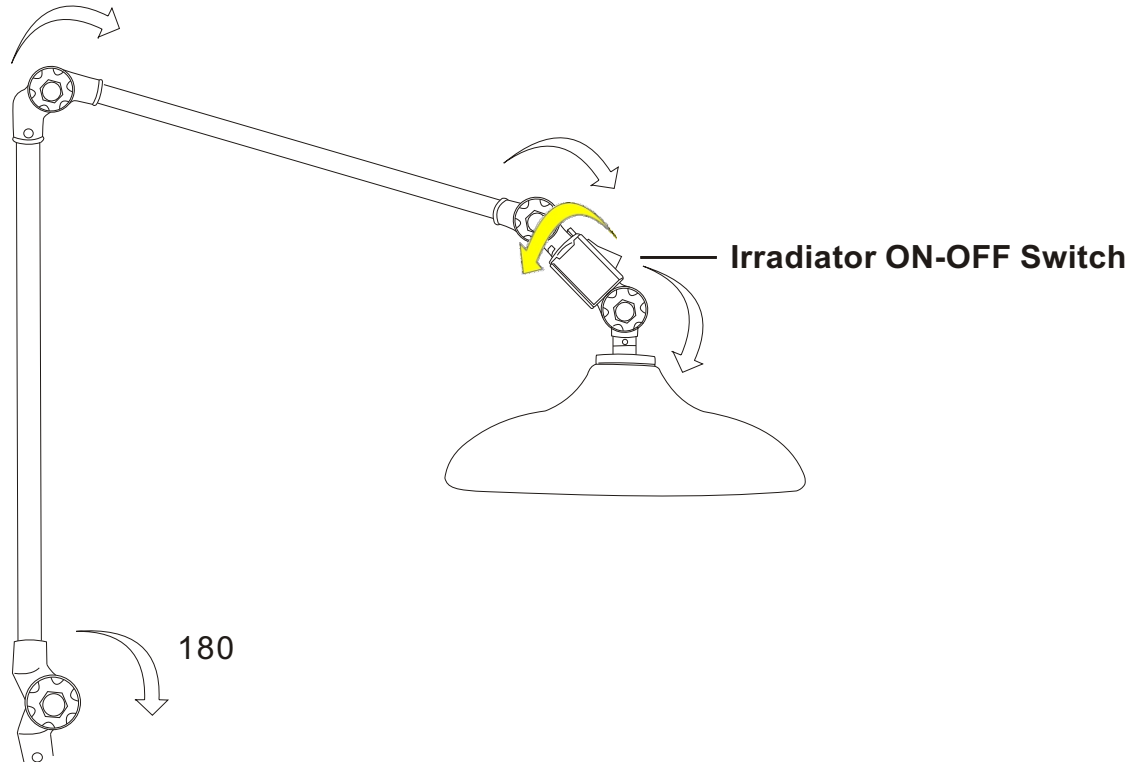
## 4 Rear panel instruction





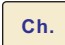

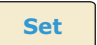
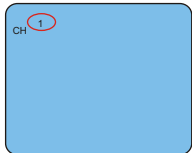
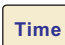



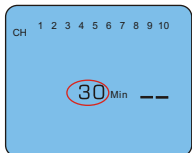
# Using Megalas-AM-800

Megalas-AM-800 can be used for treatment of diseases and conditions, follow the recommended dosage and treatment time to get the best efficacy. You can also find new information about using Megalas-AM-800 on the web [www.konftec.com](http://www.konftec.com).

---

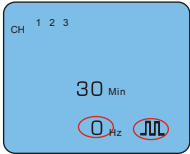
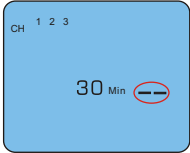
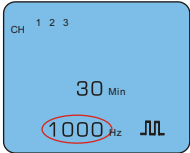
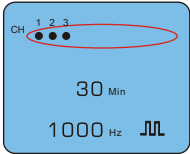


## Operation steps

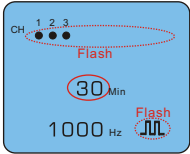

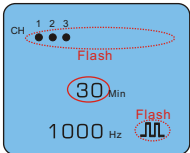

| OPERATION |                             |   | LCD DISPLAY  | REMARKS                              |
|-----------|-----------------------------|---|--|--------------------------------------|
| STEP      | ACTION                      | KEY IN  |  |                                      |
| 1         | Power ON                    |    |  |                                      |
| 2         | Select Channels Combination |      |  | Select Others:<br>2, Set;<br>3, Set; |
| 3         | Time Setting                |     |  | Time Setting:<br>1 ~ 60 Min.         |







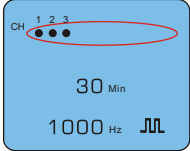
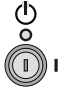

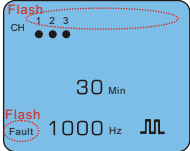
# Operation steps

| OPERATION |  |             | LCD DISPLAY   | REMARKS                       |
|-----------|--|-------------|---|-------------------------------|
| STEP      | ACTION                                 | KEY IN      |   |                               |
| 4-a       | Select Continuous Output               | No Need     |   |                               |
| 4-b       | Select Pulse Output                    | Freq.       |   |                               |
| 5         | Pulse Frequency Setting                | 1 0 0 0 Set |   | Setting Range:<br>1 ~ 1000 Hz |
| 6         | Autos to Stand-by Mode after 3 Seconds | No Need     |  |                               |

# Operation steps

| OPERATION |                        |              | LCD DISPLAY  | REMARKS                                 |
|-----------|------------------------|--------------|--|---|
| STEP      | ACTION                 | KEY IN       |  |   |
| 7         | Start Therapy          | <b>Start</b> |  |   |
| ⊙         | Pause from Front Panel | <b>Pause</b> |  |   |
|           | Alarm Music Silence    | <b>C</b>     |  |   |
| ⊙         | Restart after Pause    | <b>Start</b> |  |   |
| ⊙         | Time Count to Zero     |              |  | <b>Alert Music No.2 (Plays 15 Sec.)</b> |

# Operation steps

| OPERATION |                         |   | LCD DISPLAY  | REMARKS                 |
|-----------|-------------------------|---|--|-------------------------|
| STEP      | ACTION                  | KEY IN  |  |                         |
| ⊙         | Reset All Parameters    |    |  |                         |
| ⊙         | Repeat the Last Therapy |   |  |                         |
| ⊙         | Power OFF               |    |  |                         |
| ★         | <b>Fault</b>            |   |  | <b>Alert Music No.3</b> |

# Tips and troubleshooting

Read on for advice about using and troubleshooting Megalas-AM-800.

---

## My Megalas-AM-800 won't turn on

- ☑ Make sure Megalas-AM-800's power switch is on.
- ☑ If that doesn't work, check the emergency stop switch of Megalas-AM-800 is released.
- ☑ If that doesn't work, check the ON-OFF switch of the irradiators of Megalas-AM-800 are in ON position.
- ☑ If that doesn't work, contact your local sales office.

## My Megalas-AM-800 is flashing fault sign and is continuously playing music

- ☑ **Turn off the power switch.**  
Repeat the operation steps:
  1. Turn on Megalas-AM-800's power switch.
  2. Press "**Prog**" (program) button to set the last therapy protocol.  
Wait 3 seconds until the circles of CH. (channel) appear.
  3. Press "**Start**" button to begin the therapy.
- ☑ If that doesn't work, you can still temporarily use the working channels by deleting the faulty channel. Refer your **Operation Manual** for detailed operation

## **Learning more, service, and support**

There is a wealth of information about using Megalas-AM-800 on the web. For the latest information on Megalas-AM-800 service and support information go to [www.konftec.com](http://www.konftec.com).

---

### **Obtaining warranty service**

If the product appears to be damaged or does not function properly, please follow the advice in this booklet and the online resources. If the unit still does not function, go to [www.konftec.com](http://www.konftec.com) for instructions on how to obtain warranty service.

# Safety and cleaning

Read on to learn about using Megalas-AM-800 safely and cleaning Megalas-AM-800.

---

## Important safety instructions

When setting up and using your Megalas-AM-800, remember the following:

- ☑ Read user's guide carefully before you plug your Megalas-AM-800 into a power outlet.
- ☑ Keep user's guide handy for reference by you and others.
- ☑ Follow all instructions and warnings dealing with your Megalas-AM-800.

**Warning:** Electrical equipment may be hazardous if misused.

Operation of this device, must always be supervised by a trained person. Do not allow children access to the interior of any electrical product and do not permit them to handle any parts.

## Warning: Laser beam

- ☑ Avoid direct eye exposure to the laser beam.
- ☑ Because some Megalas-AM-800 lasers emit invisible infrared light, the usage of irradiator in the area of the face and around the eyes must proceed with appropriate care and caution. Invisible infrared laser light penetrating the eye may cause serious harm after extended exposure. Therefore, the use of the optional laser safety goggles for the patient and clinician is advised.

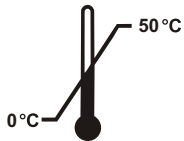


### Using the power cord and power extender

- ☑ Use only the power cord and extender that came with your Megalas-AM-800. Extender for other electronic devices may look similar, but they may damage your Megalas-AM-800.
- ☑ The only way to shut off power completely to your Megalas-AM-800 is to disconnect it from the power source.
- ☑ When connecting or disconnecting your power cord and extender, always hold the power cord and extender by its sides. Keep fingers away from the metal part of the plug.
- ☑ Before connecting the power cord to the power extender, make sure there are no foreign objects inside the extender's port.
- ☑ The power cord and extender for your Megalas-AM-800 is a high-voltage component and should not be opened for any reason, even when the Megalas-AM-800 is off. If the power cord and extender needs service, see “Learning more, service and support.”

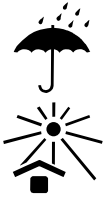
### About operating and storage temperatures

- ☑ Operate your Megalas-AM-800 in a place where the temperature is always between 0 and 50° C (32 to 122° F).
- ☑ Store your Megalas-AM-800 in a place where the temperature is always between -20 and 85° C (-4 to 185° F).



## Avoid wet locations

**Warning** To reduce the chance of shock or injury, do not use your Megalas-AM-800 in or near water or wet locations.



- ☑ Keep your Megalas-AM-800 and power cord away from sources of liquids, such as drinks, wash basins, bathtubs, shower stalls, and so on.
- ☑ Protect your Megalas-AM-800 and the power cord from direct sunlight and rain or other moisture.
- ☑ Take care not to spill any food or liquid on Megalas-AM-800 or its power adapter. If you do, unplug Megalas-AM-800 before cleaning up the spill.
- ☑ Depending on what you spilled and how much of it got into your equipment, you may have to send your equipment to Konftec for service. See “Learning more, service, and support.”



## Do not make repairs yourself

**Warning** Do not attempt to open your Megalas-AM-800 or disassemble it. You run the risk of electric shock and voiding the limited warranty. No user-serviceable parts are inside. For service, see “Learning more, service, and support.”

## Cleaning

Follow these general rules when cleaning the outside of your Megalas-AM-800 and its components:

- ☑ Make sure your Megalas-AM-800 is unplugged.
- ☑ Use a damp, soft and lint-free cloth. Avoid getting moisture in openings.
- ☑ Don't use aerosol sprays, solvents or abrasives.

## About handling

Your Megalas-AM-800 may be damaged by improper storage or handling. Be careful not to drop your Megalas-AM-800 when treating or transporting the device.







***Konftec Corporation***

12F-7, No.77, Sintai 5th Rd., Sec. 1,  
Sijhih District, New Taipei City 221  
Taiwan

[www.konftec.com](http://www.konftec.com)

© 2014 Konftec Corporation. All rights reserved.  
Konf, the Konf logo, Megalas and Megalas-AM  
are trademarks of Konftec Corporation,  
registered in Taiwan and  
other countries.

UAM800\_40101E

